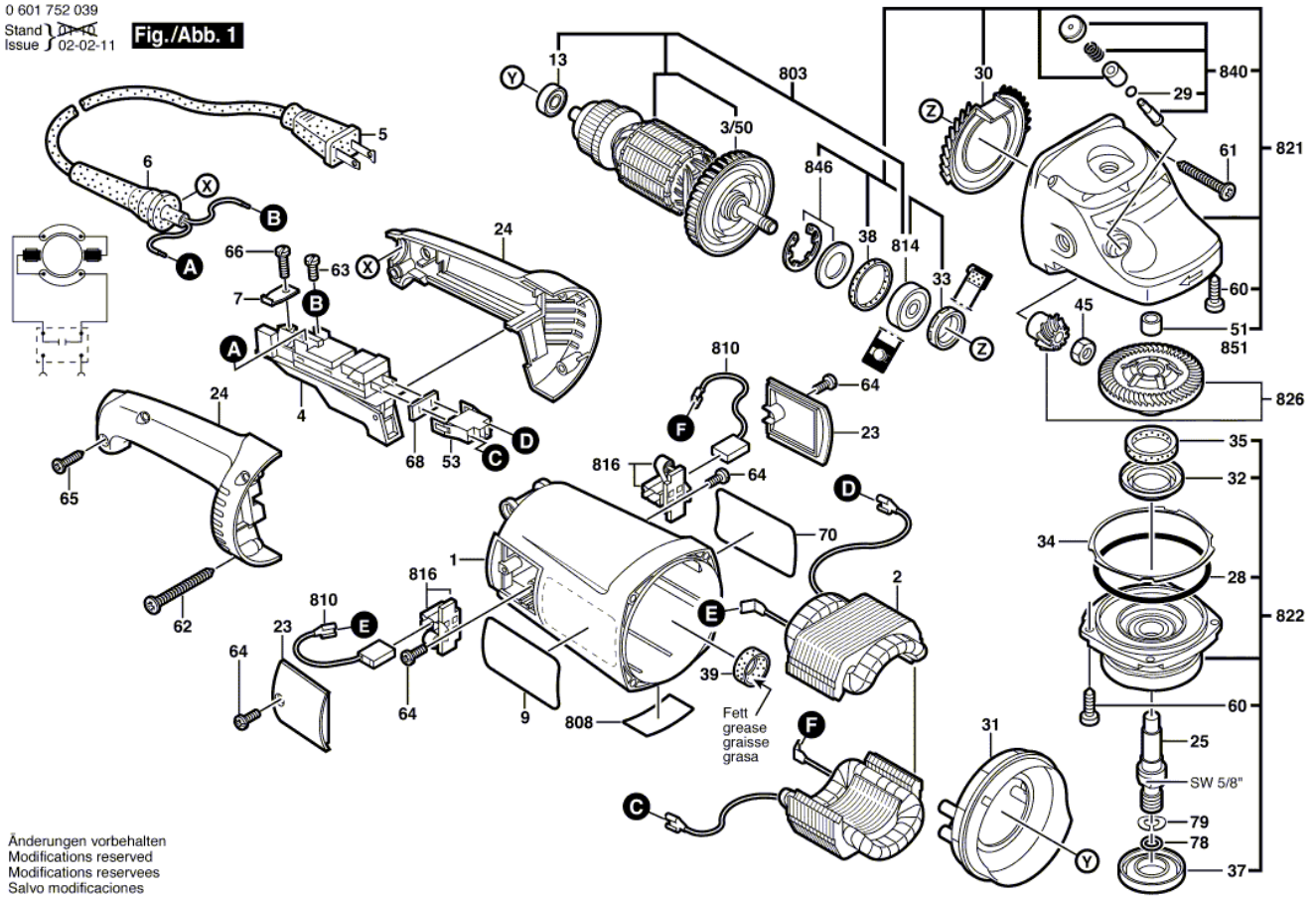




0 601 752 039
Stand 10-11
Issue J 02-02-11

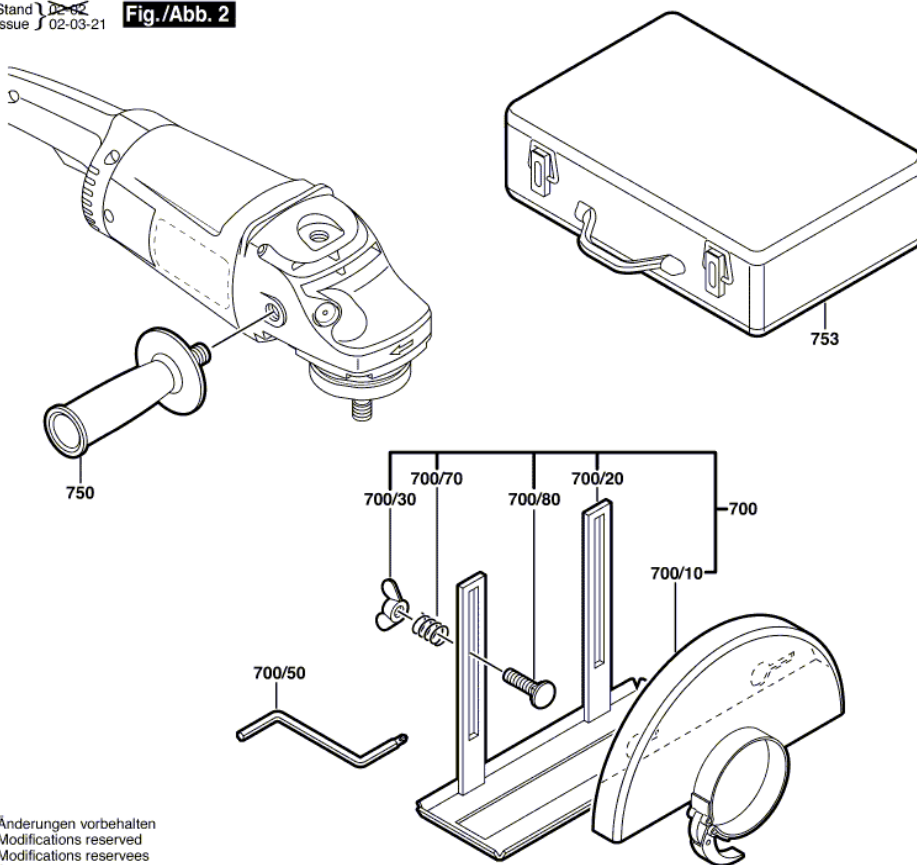
Fig./Abb. 1



Änderungen vorbehalten
Modifications reserved
Modificaciones reservadas
Salvo modificaciones



0 601 752 039
 Stand 10-12
 Issue 02-03-21

Fig./Abb. 2

Änderungen vorbehalten
 Modifications reserved
 Modifications reserves
 Salvo modificaciones



Pos.	Part Number	Description	Pos.	Part Number	Description
1	1 605 108 275	Motor Housing	846	1 607 000 C3E	Retaining Washer
2	1 604 220 385	Field	851	2 600 910 001	Needle-Roller Bearing
3/50	1 600 A00 J93	Fan			
4	1 607 200 147	Switch			
5	1 604 460 133	Power supply cord			
6	1 600 703 023	Grommet			
7	1 601 302 018	Fastening Clamp			
9	2 610 994 130	Manufacturer's nameplate			
13	1 600 905 011	groove ball bearing			
23	1 618 B00 802	Sealing cap			
24	1 619 P11 545	Handle			
25	1 603 123 05Y	Grinding Spindle			
28	1 600 210 033	O-Ring			
29	1 600 210 034	O-Ring			
30	1 600 591 029	Air Distributor			
31	1 600 591 028	Air-Deflector Ring			
32	1 600 290 019	Retaining snap ring			
33	1 600 290 013	Rotary shaft lip seal			
33	1 600 290 064	Rotary shaft lip seal			
34	1 600 190 020	Shim			
34	1 600 190 021	Shim			
34	1 600 190 022	Shim			
35	1 600 205 034	Felt Washer			
37	1 600 290 036	Seal Ring			
38	1 600 206 020	Rubber Ring			
39	1 600 206 030	Rubber Ring			
45	1 603 300 019	Hex Nut			
51	1 600 200 031	Plain bearing			
53	1 605 190 068	Socket Housing			
60	1 603 435 023	Thread-forming tap. Screw			
61	2 912 401 038	Tapping Screw			
62	1 603 435 060	Tapping Screw			
63	1 603 410 014	Pan head screw			
64	1 603 435 042	Plastic-Cutting Screw			
65	2 912 401 020	Tapping Screw			
66	2 910 211 019	Tapping Screw			
68	1 601 006 011	Sealing Plate			
70	2 610 994 133	Reference Plate			
78	1 900 210 111	O-Ring			
79	1 600 171 001	Locking Washer			
700	1 607 000 254	Parts Set			
700/10	1 605 510 234	Protective Cover			
700/20	1 608 135 006	Guide Block			
700/30	1 605 703 103	Clamping-Flange			
700/50	3 607 950 013	Offset Screwdriver			
700/70	1 605 703 104	Conical Spring Washer			
700/80	1 603 340 001	Round Nut			
750	2 602 025 075	Auxiliary Handle			
753	1 605 438 094	Corrugated carton			
803	1 604 011 178	Armature			
808	1 601 11A 3H3	Nameplate			
810	1 607 014 171	Carbon-Brush Set			
814	1 600 905 023	groove ball bearing			
816	1 604 336 048	Brush Holder			
821	1 607 000 968	Gear Housing			
822	1 607 000 985	Bearing Flange			
826	1 607 000 384	Bevel Gear Set			
840	1 607 000 206	Push-Button			